

Type: _____

Model: _____

Project: _____

SPECIFICATION SHEET

MODEL: Boca

SPECIFICATIONS

HOUSING:

Cast brass with weathered brass finish. Lock-and-load shroud with double O-rings.

SOCKET/LAMP HOLDER:

One fixed ceramic bi-pin socket with stainless steel retaining springs.

LENS:

Clear tempered glass convex lens.

LAMP TYPE:

12V MR16. LED recommended. 35W maximum.

MOUNTING:

Stem threaded with 1/2" NPT. Heavy-duty composite stake included. May be mounted into threaded hubs in junction boxes or mounting accessories shown

on back page.

WIRING:

Prewired with 5' pigtail of 18/2 cable.

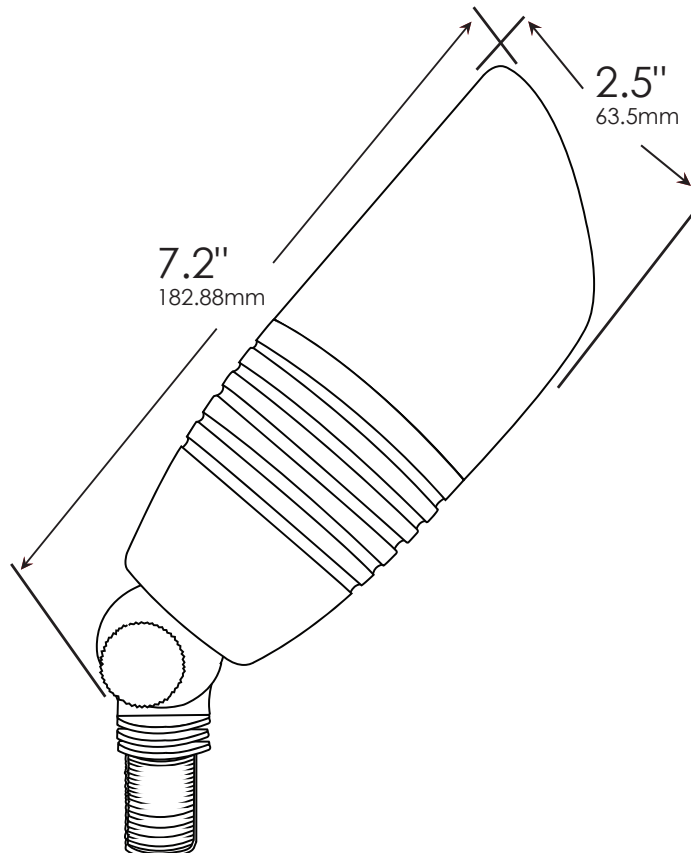
WARRANTY:

Lifetime.



The decoratively ribbed Boca upright is cast from solid brass. Its tempered glass convex lens casts a gentle, even light. The "lock-and-load" shroud features double O-rings for durability. Mounting options include its heavy-duty composite stake. Numerous MR16 LED lamp options with various light qualities.

DIMENSIONS:



LED LAMP SPECIFICATIONS

LAMP TYPE:

MR16 UL-listed (E353116) 12V lamp with 5-year warranty and suitable for enclosed luminaires.

OPTICS:

Integral optics providing available beam spreads from 15° to 60°.

COLOR TEMPERATURES:

Color temperature options provide the following qualities: 2700K=ultra-warm; 3000K=warm white; 4000K=neutral white; and 5000K=cool white. Decorative color light options include amber, blue, green, and red.



FIXTURE		LAMP		MOUNTING		RISER	
Boca	WATTAGE	BEAM SPREAD	COLOR TEMP.	MS	Composite stake (incl.) 490029	R2	2" brass riser 490038
	2W	25° / 40° / 60°	2700K / 3000K	M3	3-prong tri-stake 490030	R3	3" brass riser 490039
	4W	25° / 40° / 60°	2700K / 3000K	MY	Y-bracket surface mount 490045	R6	6" brass riser 490031
	5W	15° / 25° / 40° / 60°	2700K / 3000K	MG	Brass gutter mount 490047	R12	12" brass riser 490032
				MR	Round 3-hole surface mount 490048	R24	24" brass riser 490033
	6W	25°	Amber / Blue / Green / Red	MP	PVC mounting stake 490037		
				2700K / 3000K			
	7W	25° / 40°	2700K / 3000K / 4000K / 5000K				
60°		2700K / 3000K					